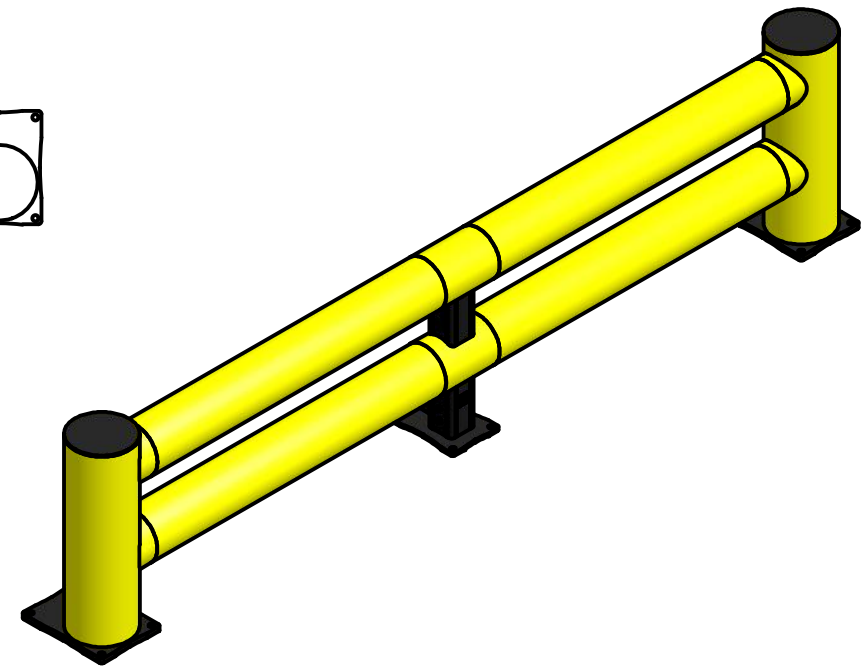
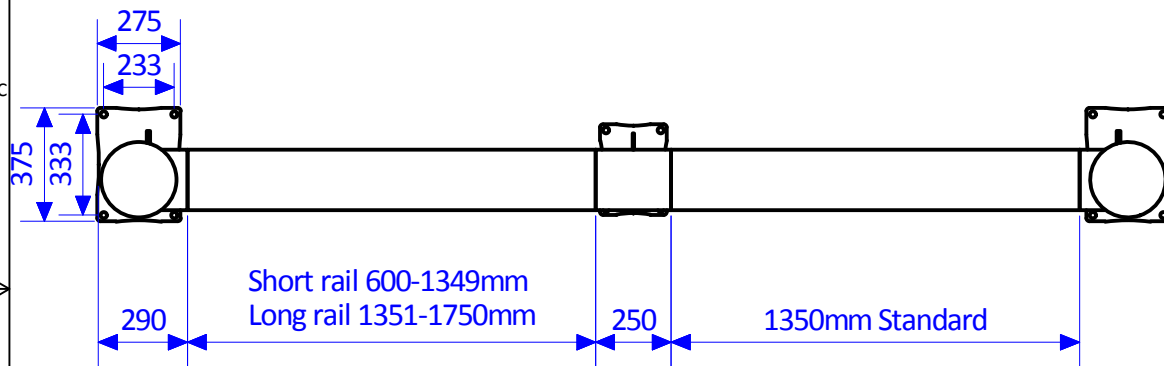
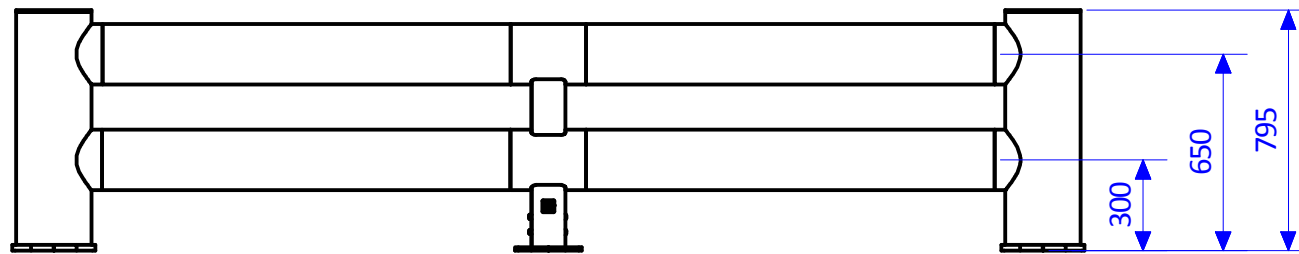


AVAILABLE IN :

Black



Grey



	<h3>TB Double</h3>						
	SHEET	A4	SCALE		DESIGNER	DD	18/01/2012
	HOOFDGROEP : IM		WEIGHT :		PROJECT		
	SUBGROEP :		MATERIAL :		1/2		
	TOLERANCE	LINEAR (UNLESS NOTED)	+/- 0.1	ANGULAR (UNLESS NOTED)	+/- 1°	RADIUS (UNLESS NOTED)	0,5
MUIZELSTRAAT 12 B-8560 WEVELGEM WWW.BOPLAN.COM				THIS DOCUMENT IS THE PROPERTY OF BOPLAN. USE IS AUTHORIZED ONLY FOR RESPONDING TO A REQUEST FOR QUOTATION OR FOR THE PERFORMANCE OF WORK FOR BOPLAN.			
REF. : TB1011/00...							